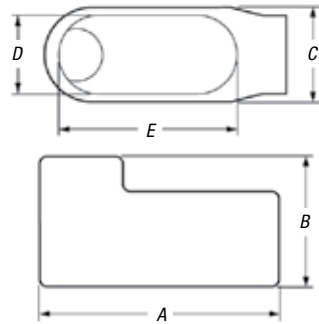


## Conduit Bodies and Covers



BlueKote internal finish reduces the amount of force necessary to pull wires through T&B Form 7 and Form 8 conduit bodies.

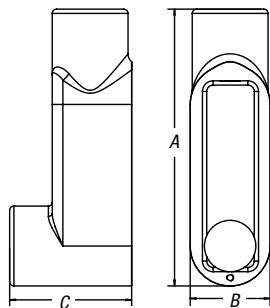


LB Form 7 and Form 8

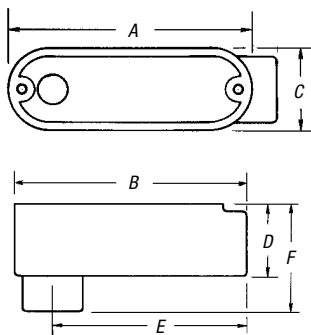
### LB Series 35 Conduit Bodies



| CAT. NO. | HUB SIZE | DIMENSIONS (IN.) |      |      |         |
|----------|----------|------------------|------|------|---------|
|          |          | A                | B    | C    | CU. IN. |
| LB50M    | ½"       | 4.68             | 1.34 | 2.05 | 4.5     |
| LB75M-TB | ¾"       | 5.37             | 1.50 | 2.25 | 7.5     |
| LB100M   | 1"       | 6.20             | 1.80 | 2.65 | 12.5    |
| LB125M   | 1¼"      | 8.12             | 2.60 | 2.75 | 32      |
| LB150M   | 1½"      | 8.12             | 2.60 | 2.83 | 35.3    |
| LB200M   | 2"       | 10.50            | 3.12 | 4.42 | 73      |
| LB250M   | 2½"      | 13.60            | 4.31 | 5.40 | 142     |
| LB300M   | 3"       | 13.87            | 4.31 | 5.90 | 173     |
| LB350M   | 3½"      | 16.25            | 5.62 | 6.90 | 292     |
| LB400M   | 4"       | 16.60            | 5.62 | 7.21 | 324     |



LB Series 35



LB Threaded Aluminum and EMT Aluminum

### LB Form 7 BlueKote® Conduit Bodies



| CAT. NO. | HUB SIZE | DIMENSIONS (IN.) |      |      |      |       | CU. IN. |
|----------|----------|------------------|------|------|------|-------|---------|
|          |          | A                | B    | C    | D    | E     |         |
| LB17     | ½"       | 4.60             | 2.20 | 1.35 | .95  | 3.20  | 4.0     |
| LB27     | ¾"       | 5.25             | 2.40 | 1.65 | 1.15 | 3.80  | 6.6     |
| LB37     | 1"       | 6.00             | 2.65 | 1.80 | 1.35 | 4.55  | 10.6    |
| LB47     | 1¼"      | 6.45             | 3.20 | 2.20 | 1.80 | 5.00  | 18.8    |
| LB57     | 1½"      | 7.25             | 3.90 | 2.45 | 2.05 | 5.45  | 26.4    |
| LB67     | 2"       | 8.30             | 4.45 | 3.10 | 2.45 | 6.40  | 51.0    |
| LB77     | 2½"      | 10.55            | 5.20 | 4.25 | 3.60 | 8.40  | 102.0   |
| LB87     | 3"       | 10.55            | 5.95 | 4.25 | 3.60 | 8.40  | 132.0   |
| LB97     | 3½"      | 12.85            | 6.70 | 5.25 | 4.55 | 10.25 | 210.0   |
| LB107    | 4"       | 12.85            | 7.20 | 5.25 | 4.55 | 10.25 | 243.0   |

### LB Form 8 BlueKote® Conduit Bodies



| CAT. NO. | HUB SIZE | DIMENSIONS (IN.) |      |      |      |       | CU. IN. |
|----------|----------|------------------|------|------|------|-------|---------|
|          |          | A                | B    | C    | D    | E     |         |
| LB18     | ½"       | 4.94             | 2.22 | 1.38 | 1.00 | 3.31  | 4.9     |
| LB28     | ¾"       | 5.56             | 2.44 | 1.56 | 1.19 | 3.31  | 8.0     |
| LB38     | 1"       | 6.50             | 2.81 | 1.75 | 1.38 | 4.56  | 13.0    |
| LB448    | 1¼"      | 7.53             | 3.34 | 2.19 | 1.75 | 5.31  | 23.5    |
| LB58     | 1½"      | 9.13             | 4.03 | 2.75 | 2.13 | 6.50  | 45.0    |
| LB68     | 2"       | 11.00            | 4.41 | 3.75 | 3.00 | 8.56  | 88.0    |
| LB78     | 2½"      | 13.94            | 6.13 | 5.00 | 4.25 | 10.88 | 110.0   |
| LB888    | 3"       | 13.94            | 6.50 | 5.00 | 4.25 | 10.88 | 110.0   |
| LB98     | 3½"      | 16.88            | 7.56 | 6.25 | 5.44 | 13.44 | 250.0   |
| LB108    | 4"       | 16.88            | 7.81 | 6.25 | 5.44 | 13.44 | 250.0   |

### LB Threaded Aluminum Conduit Bodies



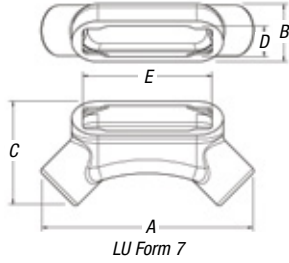
| CAT. NO. | HUB SIZE | DIMENSIONS (IN.) |        |      |      |       |      | CU. IN. |
|----------|----------|------------------|--------|------|------|-------|------|---------|
|          |          | A                | B      | C    | D    | E     | F    |         |
| ALB1     | ½"       | 3.88             | 4.28   | 1.31 | 1.44 | 3.50  | 2.06 | 4.3     |
| ALB2     | ¾"       | 4.63             | 5.13   | 1.53 | 1.63 | 4.25  | 2.44 | 7.3     |
| ALB3     | 1"       | 5.38             | 515/16 | 1.75 | 1.88 | 4.94  | 2.75 | 11.8    |
| ALB4     | 1¼"      | 7.25             | 7.88   | 2.50 | 2.50 | 6.50  | 3.56 | 32.0    |
| ALB5     | 1½"      | 7.25             | 7.88   | 2.50 | 2.75 | 6.31  | 3.81 | 32.0    |
| ALB6     | 2"       | 9.50             | 9.81   | 3.13 | 3.44 | 8.00  | 4.50 | 69.5    |
| ALB7     | 2½"      | 12.25            | 13.00  | 4.50 | 3.88 | 10.84 | 5.25 | 190.0   |
| ALB8     | 3"       | 12.25            | 13.00  | 4.50 | 4.50 | 10.50 | 5.88 | 190.0   |
| ALB9     | 3½"      | 15.00            | 16.31  | 5.50 | 5.56 | 13.50 | 6.94 | 366.0   |
| ALB10    | 4"       | 15.00            | 16.31  | 5.50 | 5.56 | 13.50 | 6.94 | 366.0   |

### LB EMT Aluminum Conduit Bodies



| CAT. NO. | HUB SIZE | DIMENSIONS (IN.) |       |      |      |       |      | CU. IN. |
|----------|----------|------------------|-------|------|------|-------|------|---------|
|          |          | A                | B     | C    | D    | E     | F    |         |
| BLB1     | ½"       | 3.88             | 4.28  | 1.31 | 1.44 | 3.50  | 2.06 | 4.3     |
| BLB2     | ¾"       | 4.63             | 5.13  | 1.53 | 1.63 | 4.25  | 2.44 | 7.3     |
| BLB3     | 1"       | 5.38             | 5.94  | 1.75 | 1.88 | 4.94  | 2.75 | 11.8    |
| BLB4     | 1¼"      | 7.25             | 7.88  | 2.50 | 2.50 | 6.50  | 3.56 | 32.0    |
| BLB5     | 1½"      | 7.25             | 7.88  | 2.50 | 2.75 | 6.31  | 3.81 | 32.0    |
| BLB6     | 2"       | 9.50             | 9.81  | 3.13 | 3.44 | 8.00  | 4.50 | 69.5    |
| BLB7     | 2½"      | 12.25            | 13.00 | 4.50 | 3.88 | 10.84 | 5.25 | 190.0   |
| BLB8     | 3"       | 12.25            | 13.00 | 4.50 | 4.50 | 10.50 | 5.88 | 190.0   |
| BLB9     | 3½"      | 15.00            | 16.31 | 5.50 | 5.56 | 13.50 | 6.94 | 366.0   |
| BLB10    | 4"       | 15.00            | 16.31 | 5.50 | 5.56 | 13.50 | 6.94 | 366.0   |

## Conduit Bodies and Covers

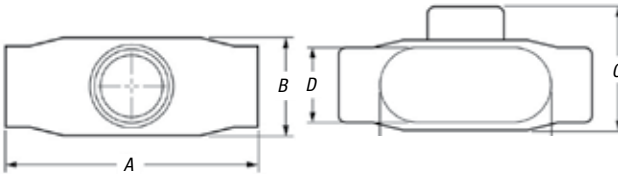


LU Form 7

### LU® Form 7 BlueKote® Conduit Bodies



| CAT. NO. | HUB SIZE | DIMENSIONS (IN.) |      |      |      |      | CU. IN. |
|----------|----------|------------------|------|------|------|------|---------|
|          |          | A                | B    | C    | D    | E    |         |
| LU17     | ½"       | 5.54             | 1.45 | 2.72 | .95  | 3.20 | 4.8     |
| LU27     | ¾"       | 6.22             | 1.70 | 3.07 | 1.15 | 3.80 | 7.6     |
| LU37     | 1"       | 7.34             | 1.97 | 3.52 | 1.35 | 4.55 | 13.4    |
| LU47     | 1¼"      | 8.40             | 2.47 | 4.21 | 1.80 | 5.00 | 23.0    |
| LU57     | 1½"      | 8.95             | 2.72 | 4.44 | 2.05 | 5.45 | 28.3    |
| LU67     | 2"       | 10.61            | 3.43 | 5.43 | 2.45 | 6.40 | 56.0    |



T Form 7 and Form 8

### T Form 7 BlueKote® Conduit Bodies

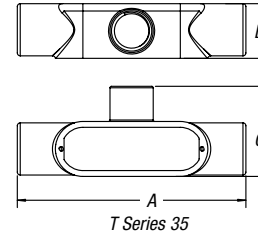


| CAT. NO. | HUB SIZE | DIMENSIONS (IN.) |      |      |      |       | CU. IN. |
|----------|----------|------------------|------|------|------|-------|---------|
|          |          | A                | B    | C    | D    | E     |         |
| T17      | ½"       | 5.60             | 1.80 | 2.35 | .95  | 3.20  | 6.0     |
| T27      | ¾"       | 6.20             | 2.00 | 2.60 | 1.15 | 3.80  | 9.1     |
| T37      | 1"       | 7.35             | 2.30 | 3.10 | 1.35 | 4.55  | 16.9    |
| T47      | 1¼"      | 7.30             | 2.30 | 3.05 | 1.80 | 5.00  | 19.3    |
| T57      | 1½"      | 8.60             | 2.60 | 3.80 | 2.05 | 5.45  | 27.5    |
| T67      | 2"       | 9.50             | 3.20 | 4.25 | 2.45 | 6.40  | 50.0    |
| T77      | 2½"      | 12.10            | 3.65 | 5.80 | 3.60 | 8.40  | 102.0   |
| T87      | 3"       | 12.10            | 4.40 | 5.80 | 3.60 | 8.40  | 132.0   |
| T97      | 3½"      | 14.65            | 4.90 | 7.05 | 4.55 | 10.25 | 210.0   |
| T107     | 4"       | 14.65            | 5.40 | 7.05 | 4.55 | 10.25 | 243.0   |

### T Form 8 BlueKote® Conduit Bodies



| CAT. NO. | HUB SIZE | DIMENSIONS (IN.) |      |      |      |       | CU. IN. |
|----------|----------|------------------|------|------|------|-------|---------|
|          |          | A                | B    | C    | D    | E     |         |
| T18      | ½"       | 5.69             | 7.75 | 2.16 | 1.00 | 3.31  | 6.0     |
| T28      | ¾"       | 6.28             | 2.00 | 2.31 | 1.19 | 3.94  | 9.0     |
| T38-TB   | 1"       | 7.31             | 2.25 | 2.63 | 1.38 | 4.56  | 15.0    |
| T448     | 1¼"      | 8.50             | 2.63 | 3.16 | 1.75 | 5.31  | 24.0    |
| T58      | 1½"      | 10.38            | 2.78 | 4.00 | 2.13 | 6.50  | 46.5    |
| T68      | 2"       | 12.25            | 3.56 | 5.00 | 3.00 | 8.56  | 88.0    |
| T78      | 2½"      | 15.63            | 4.44 | 6.69 | 4.25 | 10.88 | 110.0   |
| T88-TB   | 3"       | 15.63            | 4.81 | 6.69 | 4.25 | 10.88 | 110.0   |

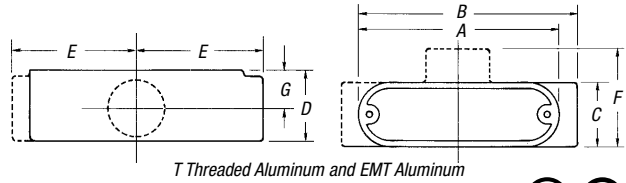


T Series 35

### T Series 35 Conduit Bodies



| CAT. NO. | HUB SIZE | DIMENSIONS (IN.) |      |      | CU. IN. |
|----------|----------|------------------|------|------|---------|
|          |          | A                | B    | C    |         |
| T50M     | ½"       | 5.38             | 2.05 | 1.34 | 6.0     |
| T75M     | ¾"       | 6.00             | 2.25 | 1.50 | 9.5     |
| T100M    | 1"       | 7.05             | 2.65 | 1.80 | 15      |
| T125M    | 1¼"      | 9.00             | 2.75 | 2.60 | 33      |
| T150M    | 1½"      | 9.00             | 3.50 | 2.60 | 36      |
| T200M    | 2"       | 11.50            | 4.12 | 3.12 | 76      |
| T250M    | 2½"      | 15.00            | 5.71 | 4.31 | 142     |
| T300M    | 3"       | 15.12            | 5.87 | 4.31 | 173     |
| T350M    | 3½"      | 18.13            | 6.81 | 5.19 | 292     |
| T400M    | 4"       | 18.13            | 7.15 | 5.56 | 324     |



T Threaded Aluminum and EMT Aluminum

### T Threaded Aluminum Conduit Bodies



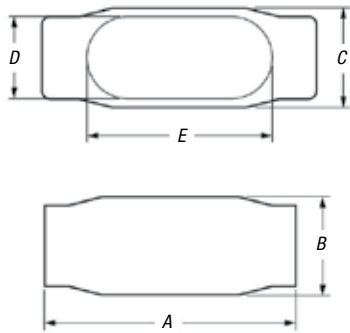
| CAT. NO. | HUB SIZE | DIMENSIONS (IN.) |       |      |      |      |      |      | CU. IN. |
|----------|----------|------------------|-------|------|------|------|------|------|---------|
|          |          | A                | B     | C    | D    | E    | F    | G    |         |
| AT1      | ½"       | 3.88             | 4.38  | 1.33 | 1.38 | 2.41 | 2.06 | .81  | 4.3     |
| AT2      | ¾"       | 3.63             | 5.13  | 1.53 | 1.63 | 2.78 | 2.59 | .94  | 7.3     |
| AT3      | 1"       | 5.38             | 5.94  | 1.75 | 1.88 | 3.25 | 2.63 | 1.00 | 11.8    |
| AT4      | 1¼"      | 7.25             | 7.88  | 2.50 | 2.50 | 4.19 | 3.53 | 1.38 | 32.0    |
| AT5      | 1½"      | 7.25             | 7.88  | 2.50 | 2.75 | 4.19 | 3.53 | 1.50 | 32.0    |
| AT6      | 2"       | 9.50             | 10.19 | 3.13 | 3.56 | 5.41 | 4.00 | 1.97 | 69.5    |
| AT7      | 2½"      | 12.25            | 13.00 | 4.50 | 4.50 | 6.88 | 5.78 | 2.44 | 190.0   |
| AT8      | 3"       | 12.25            | 13.00 | 4.50 | 4.50 | 6.88 | 5.78 | 2.44 | 190.0   |
| AT9      | 3½"      | 15.00            | 16.31 | 5.50 | 5.56 | 8.81 | 6.81 | 3.00 | 366.0   |
| AT10     | 4"       | 15.00            | 16.31 | 5.50 | 5.56 | 8.81 | 6.81 | 3.00 | 366.0   |

### T EMT Aluminum Conduit Bodies

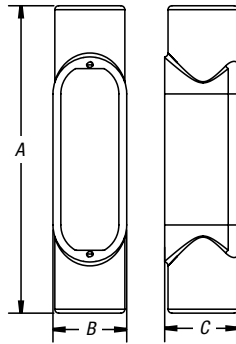


| CAT. NO. | HUB SIZE | DIMENSIONS (IN.) |       |      |      |      |      |      | CU. IN. |
|----------|----------|------------------|-------|------|------|------|------|------|---------|
|          |          | A                | B     | C    | D    | E    | F    | G    |         |
| BT1      | ½"       | 3.88             | 4.38  | 1.33 | 1.38 | 2.41 | 2.06 | .81  | 4.3     |
| BT2      | ¾"       | 4.63             | 5.13  | 1.53 | 1.63 | 2.78 | 2.59 | .94  | 7.3     |
| BT3      | 1"       | 5.38             | 5.94  | 1.75 | 1.88 | 3.25 | 2.63 | 1.00 | 11.8    |
| BT4      | 1¼"      | 7.25             | 7.88  | 2.50 | 2.50 | 4.19 | 3.53 | 1.38 | 32.0    |
| BT5      | 1½"      | 7.25             | 7.88  | 2.50 | 2.75 | 4.19 | 3.53 | 1.50 | 32.0    |
| BT6      | 2"       | 9.50             | 10.19 | 3.13 | 3.56 | 5.41 | 4.00 | 1.97 | 69.5    |

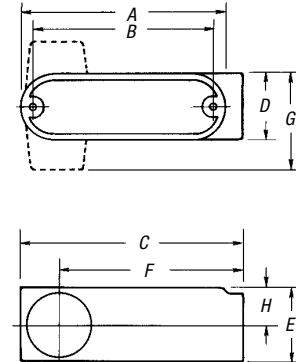
## Conduit Bodies and Covers



C Form 7 and Form 8



C Series 35



C Threaded Aluminum and EMT Aluminum

### C Form 7 BlueKote® Conduit Bodies



| CAT. NO. | HUB SIZE | DIMENSIONS (IN.) |      |      |      |      | CU. IN. |
|----------|----------|------------------|------|------|------|------|---------|
|          |          | A                | B    | C    | D    | E    |         |
| C17      | ½"       | 5.45             | 1.40 | 1.45 | .95  | 3.20 | 4.0     |
| C27      | ¾"       | 6.05             | 1.60 | 1.65 | 1.15 | 3.80 | 6.6     |
| C37      | 1"       | 6.75             | 1.90 | 1.80 | 1.35 | 4.55 | 10.6    |
| C47      | 1¼"      | 7.30             | 2.30 | 2.20 | 1.80 | 5.00 | 18.8    |
| C57      | 1½"      | 8.60             | 2.60 | 2.45 | 2.05 | 5.45 | 26.4    |
| C67      | 2"       | 9.50             | 3.20 | 3.05 | 2.45 | 6.40 | 51.0    |
| C77-TB   | 2½"      | 12.10            | 3.65 | 4.25 | 3.60 | 8.40 | 102.0   |
| C87      | 3"       | 12.10            | 4.40 | 4.25 | 3.60 | 8.40 | 132.0   |

### C Form 8 BlueKote® Conduit Bodies



| CAT. NO. | HUB SIZE | DIMENSIONS (IN.) |      |      |      |       | CU. IN. |
|----------|----------|------------------|------|------|------|-------|---------|
|          |          | A                | B    | C    | D    | E     |         |
| C18      | ½"       | 5.53             | 1.44 | 1.38 | 1.00 | 3.31  | 4.9     |
| C28      | ¾"       | 6.28             | 1.53 | 1.19 | 1.19 | 3.94  | 8.0     |
| C38      | 1"       | 7.31             | 1.94 | 1.75 | 1.38 | 4.56  | 13.0    |
| C448     | 1¼"      | 8.50             | 2.38 | 2.19 | 1.75 | 5.31  | 23.5    |
| C58-TB   | 1½"      | 10.38            | 2.78 | 2.75 | 2.13 | 6.50  | 45.0    |
| C68      | 2"       | 12.25            | 3.56 | 3.75 | 3.00 | 8.56  | 88.0    |
| C78      | 2½"      | 15.63            | 4.44 | 5.00 | 4.25 | 10.88 | 110.0   |
| C88      | 3"       | 15.63            | 4.81 | 5.00 | 4.25 | 10.88 | 110.0   |

### C Series 35 Conduit Bodies



| CAT. NO. | HUB SIZE | DIMENSIONS (IN.) |      |      | CU. IN. |
|----------|----------|------------------|------|------|---------|
|          |          | A                | B    | C    |         |
| C50M     | ½"       | 5.38             | 1.34 | 1.37 | 4.5     |
| C75M-TB  | ¾"       | 6.00             | 1.50 | 1.70 | 7.5     |
| C100M    | 1"       | 7.05             | 1.80 | 1.90 | 12.5    |
| C125M    | 1¼"      | 9.00             | 2.60 | 2.75 | 35      |
| C150M    | 1½"      | 9.00             | 2.60 | 2.83 | 35.3    |
| C200M    | 2"       | 11.50            | 3.12 | 3.31 | 75      |
| C250M-TB | 2½"      | 15.00            | 4.31 | 3.90 | 153     |
| C300M    | 3"       | 15.12            | 4.31 | 4.75 | 181     |
| C350M    | 3½"      | 18.13            | 4.88 | 5.19 | 290     |
| C400M    | 4"       | 18.13            | 4.88 | 5.56 | 320     |

### C Threaded Aluminum Conduit Bodies



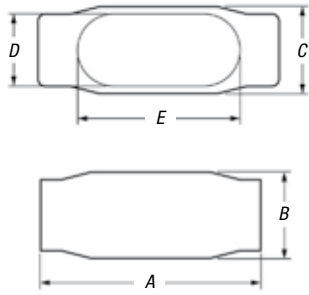
| CAT. NO. | HUB SIZE | DIMENSIONS (IN.) |       |      |      |      |      |      | CU. IN. |
|----------|----------|------------------|-------|------|------|------|------|------|---------|
|          |          | A                | B     | C    | D    | E    | F    | G    |         |
| AC1      | ½"       | 3.88             | 4.38  | 1.33 | 1.38 | 2.41 | 2.06 | .81  | 4.3     |
| AC2      | ¾"       | 4.63             | 5.13  | 1.53 | 1.63 | 2.78 | 2.59 | .94  | 7.3     |
| AC3      | 1"       | 5.38             | 5.94  | 1.75 | 1.88 | 3.25 | 5.63 | 1.00 | 11.8    |
| AC4      | 1¼"      | 7.25             | 7.88  | 2.50 | 2.50 | 4.19 | 3.53 | 1.38 | 32.0    |
| AC5      | 1½"      | 7.25             | 7.88  | 2.50 | 2.75 | 4.19 | 3.53 | 1.50 | 32.0    |
| AC6      | 2"       | 9.50             | 10.19 | 3.13 | 3.56 | 5.41 | 4.00 | 1.97 | 69.5    |
| AC7      | 2½"      | 12.25            | 13.00 | 4.50 | 4.50 | 6.88 | 5.78 | 2.44 | 190.0   |
| AC8      | 3"       | 12.25            | 13.00 | 4.50 | 4.50 | 6.88 | 5.78 | 2.44 | 190.0   |
| AC9      | 3½"      | 15.00            | 16.31 | 5.50 | 5.56 | 8.81 | 6.81 | 3.00 | 366.0   |
| AC10     | 4"       | 15.00            | 16.31 | 5.50 | 5.56 | 8.81 | 6.81 | 3.00 | 366.0   |

### C EMT Aluminum Conduit Bodies

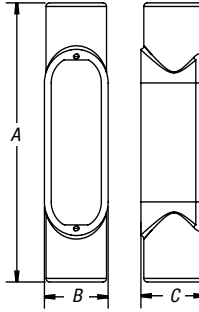


| CAT. NO. | HUB SIZE | DIMENSIONS (IN.) |       |      |      |      |      |      | CU. IN. |
|----------|----------|------------------|-------|------|------|------|------|------|---------|
|          |          | A                | B     | C    | D    | E    | F    | G    |         |
| BC1      | ½"       | 3.88             | 4.38  | 1.33 | 1.38 | 2.41 | 2.06 | .81  | 4.3     |
| BC2      | ¾"       | 4.63             | 5.13  | 1.53 | 1.63 | 2.78 | 2.59 | .94  | 7.3     |
| BC3      | 1"       | 5.38             | 5.94  | 1.75 | 1.88 | 3.25 | 5.63 | 1.00 | 11.8    |
| BC4      | 1¼"      | 7.25             | 7.88  | 2.50 | 2.50 | 4.19 | 3.53 | 1.38 | 32.0    |
| BC5      | 1½"      | 7.25             | 7.88  | 2.50 | 2.75 | 4.19 | 3.53 | 1.50 | 32.0    |
| BC6      | 2"       | 9.50             | 10.19 | 3.13 | 3.56 | 5.41 | 4.00 | 1.97 | 69.5    |

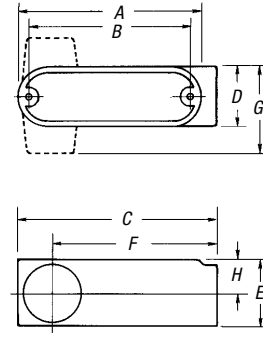
## Conduit Bodies and Covers



LL Form 7 and Form 8



LL Series 35



LL Threaded Aluminum and EMT Aluminum

### LL Form 7 BlueKote® Conduit Bodies



| CAT. NO. | HUB SIZE | DIMENSIONS (IN.) |      |      |      |       | CU. IN. |
|----------|----------|------------------|------|------|------|-------|---------|
|          |          | A                | B    | C    | D    | E     |         |
| LL17     | ½"       | 4.60             | 1.40 | 1.45 | .95  | 3.20  | 4.0     |
| LL27     | ¾"       | 5.25             | 1.60 | 1.65 | 1.15 | 3.80  | 6.6     |
| LL37     | 1"       | 6.00             | 1.90 | 2.60 | 1.35 | 4.55  | 10.6    |
| LL47     | 1¼"      | 6.45             | 2.30 | 3.05 | 1.80 | 5.00  | 18.6    |
| LL57     | 1½"      | 7.90             | 2.60 | 3.80 | 2.05 | 5.45  | 26.4    |
| LL67     | 2"       | 8.30             | 3.20 | 4.25 | 2.45 | 6.40  | 51.0    |
| LL77     | 2½"      | 10.55            | 3.65 | 5.80 | 3.60 | 8.40  | 102.0   |
| LL87     | 3"       | 10.55            | 4.40 | 5.80 | 3.60 | 8.40  | 132.0   |
| LL97     | 3½"      | 12.85            | 4.90 | 7.03 | 4.55 | 10.25 | 210.0   |
| LL107    | 4"       | 12.85            | 5.40 | 7.03 | 4.55 | 10.25 | 243.0   |

### LL Form 8 BlueKote® Conduit Bodies



| CAT. NO. | HUB SIZE | DIMENSIONS (IN.) |      |      |      |       | CU. IN. |
|----------|----------|------------------|------|------|------|-------|---------|
|          |          | A                | B    | C    | D    | E     |         |
| LL18     | ½"       | 4.94             | 1.44 | 2.13 | 1.00 | 3.31  | 4.9     |
| LL28     | ¾"       | 5.56             | 1.69 | 2.31 | 1.19 | 3.94  | 8.0     |
| LL38     | 1"       | 6.47             | 1.94 | 2.63 | 1.38 | 4.56  | 13.0    |
| LL448    | 1¼"      | 7.53             | 2.38 | 3.16 | 1.75 | 5.31  | 23.5    |
| LL58     | 1½"      | 9.13             | 2.78 | 4.00 | 2.13 | 6.50  | 45.0    |
| LL68     | 2"       | 11.00            | 3.56 | 5.00 | 3.00 | 8.56  | 88.0    |
| LL78     | 2½"      | 13.94            | 4.44 | 6.69 | 4.25 | 10.88 | 110.0   |
| LL888    | 3"       | 13.94            | 4.81 | 6.69 | 4.25 | 10.88 | 110.0   |

### LL Series 35 Conduit Bodies



| CAT. NO. | HUB SIZE | DIMENSIONS (IN.) |      |      | CU. IN. |
|----------|----------|------------------|------|------|---------|
|          |          | A                | B    | C    |         |
| LL50M    | ½"       | 4.68             | 2.05 | 1.37 | 4.5     |
| LL75M    | ¾"       | 5.37             | 2.25 | 1.70 | 7.5     |
| LL100M   | 1"       | 6.20             | 2.65 | 1.90 | 12.5    |
| LL125M   | 1¼"      | 8.12             | 2.75 | 2.75 | 32      |
| LL150M   | 1½"      | 8.12             | 3.50 | 2.83 | 33      |
| LL200M   | 2"       | 10.50            | 4.12 | 3.31 | 68      |
| LL250M   | 2½"      | 13.60            | 5.71 | 3.90 | 142     |
| LL300M   | 3"       | 13.87            | 5.87 | 4.75 | 173     |
| LL350M   | 3½"      | 16.50            | 7.13 | 6.81 | 292     |
| LL400M   | 4"       | 16.50            | 7.13 | 7.19 | 324     |

### LL Threaded Aluminum Conduit Bodies



| CAT. NO. | HUB SIZE | DIMENSIONS (IN.) |       |       |      |      |       |      |      | CU. IN. | CU. IN.* |
|----------|----------|------------------|-------|-------|------|------|-------|------|------|---------|----------|
|          |          | A                | B     | C     | D    | E    | F     | G    | H    |         |          |
| ALL1     | ½"       | 3.88             | 3.50  | 4.31  | 1.31 | 1.38 | 3.56  | 2.00 | .78  | 4.3     | 4.8      |
| ALL2     | ¾"       | 4.63             | 4.13  | 5.13  | 1.53 | 1.63 | 4.13  | 2.31 | .88  | 7.3     | 7.5      |
| ALL3     | 1"       | 5.38             | 4.88  | 5.31  | 1.75 | 1.88 | 4.88  | 2.50 | 1.00 | 11.8    | 12.5     |
| ALL4     | 1¼"      | 7.25             | 6.50  | 7.88  | 2.50 | 2.75 | 6.31  | 3.38 | 1.50 | 32.0    | 36.5     |
| ALL5     | 1½"      | 7.25             | 6.50  | 7.88  | 2.50 | 2.75 | 6.31  | 3.38 | 1.50 | 32.0    | 36.5     |
| ALL6     | 2"       | 9.50             | 8.56  | 10.19 | 3.13 | 3.44 | 8.19  | 3.94 | 1.94 | 69.5    | 73.8     |
| ALL7     | 2½"      | 12.25            | 11.25 | 13.00 | 4.50 | 4.50 | 10.25 | 5.50 | 2.88 | 190.0   | —        |
| ALL8     | 3"       | 12.25            | 11.25 | 13.00 | 4.50 | 4.50 | 10.25 | 5.50 | 2.88 | 190.0   | —        |
| ALL9     | 3½"      | 15.00            | 14.44 | 16.25 | 5.50 | 5.50 | 12.75 | 6.50 | 3.00 | 366.0   | —        |
| ALL10    | 4"       | 15.00            | 14.44 | 16.25 | 5.50 | 5.50 | 12.75 | 6.50 | 3.00 | 366.0   | —        |

\*LRL Style Only

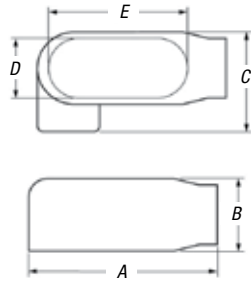
### LL EMT Aluminum Conduit Bodies



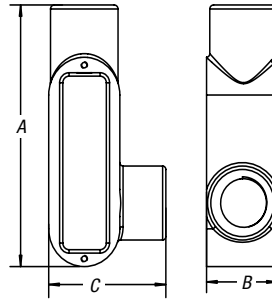
| CAT. NO. | HUB SIZE | DIMENSIONS (IN.) |      |      |      |      |      |      |      | CU. IN. | CU. IN.* |
|----------|----------|------------------|------|------|------|------|------|------|------|---------|----------|
|          |          | A                | B    | C    | D    | E    | F    | G    | H    |         |          |
| BLL1     | ½"       | 3.88             | 3.50 | 4.31 | 1.31 | 1.38 | 3.56 | 2.00 | .78  | 4.3     | 4.8      |
| BLL2     | ¾"       | 4.63             | 4.13 | 5.13 | 1.53 | 1.63 | 4.13 | 2.31 | .88  | 7.3     | 7.5      |
| BLL3     | 1"       | 5.38             | 4.88 | 5.31 | 1.75 | 1.88 | 4.88 | 2.50 | 1.00 | 11.8    | 12.5     |
| BLL4     | 1¼"      | 7.25             | 6.50 | 7.88 | 2.50 | 2.75 | 6.31 | 3.38 | 1.50 | 32.0    | 36.5     |

\*LRL Style Only

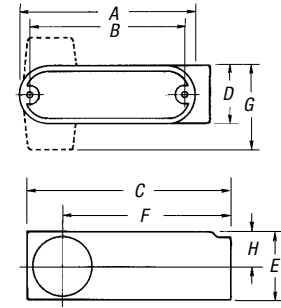
## Conduit Bodies and Covers



LR Form 7 and Form 8



LR Series 35



LR Threaded Aluminum and EMT Aluminum

### LR Form 7 BlueKote® Conduit Bodies



| CAT. NO. | HUB SIZE | DIMENSIONS (IN.) |      |      |      |       | CU. IN. |
|----------|----------|------------------|------|------|------|-------|---------|
|          |          | A                | B    | C    | D    | E     |         |
| LR17     | ½"       | 4.60             | 1.40 | 1.45 | .95  | 3.20  | 4.0     |
| LR27     | ¾"       | 5.25             | 1.60 | 1.65 | 1.15 | 3.80  | 6.6     |
| LR37     | 1"       | 6.00             | 1.90 | 2.60 | 1.35 | 4.55  | 10.6    |
| LR47     | 1¼"      | 6.45             | 2.30 | 3.05 | 1.80 | 5.00  | 18.8    |
| LR57     | 1½"      | 7.90             | 2.60 | 3.80 | 2.05 | 5.45  | 26.4    |
| LR67     | 2"       | 8.30             | 3.20 | 4.25 | 2.45 | 6.40  | 51.0    |
| LR77     | 2½"      | 10.55            | 3.65 | 5.80 | 3.60 | 8.40  | 102.0   |
| LR87     | 3"       | 10.55            | 4.40 | 5.80 | 3.60 | 8.40  | 132.0   |
| LR97     | 3½"      | 12.85            | 4.90 | 7.03 | 4.55 | 10.25 | 210.0   |
| LR107    | 4"       | 12.85            | 5.40 | 7.03 | 4.55 | 10.25 | 243.0   |

### LR Form 8 BlueKote® Conduit Bodies



| CAT. NO. | HUB SIZE | DIMENSIONS (IN.) |      |      |      |       | CU. IN. |
|----------|----------|------------------|------|------|------|-------|---------|
|          |          | A                | B    | C    | D    | E     |         |
| LR18     | ½"       | 4.94             | 1.44 | 2.16 | 1.00 | 3.31  | 4.4     |
| LR28     | ¾"       | 5.56             | 1.69 | 2.31 | 1.19 | 3.94  | 8.0     |
| LR38     | 1"       | 6.47             | 1.94 | 2.63 | 1.38 | 4.56  | 13.0    |
| LR448    | 1¼"      | 7.53             | 2.38 | 3.16 | 1.75 | 5.31  | 23.6    |
| LR58     | 1½"      | 9.13             | 2.78 | 4.00 | 2.13 | 6.50  | 45.0    |
| LR68     | 2"       | 11.00            | 3.56 | 5.00 | 3.00 | 8.56  | 88.0    |
| LR78     | 2½"      | 13.94            | 4.44 | 6.69 | 4.25 | 10.88 | 110.0   |
| LR888    | 3"       | 13.94            | 4.81 | 6.69 | 4.25 | 10.88 | 110.0   |

### LR Series 35 Conduit Bodies



| CAT. NO.  | HUB SIZE | DIMENSIONS (IN.) |      |      | CU. IN. |
|-----------|----------|------------------|------|------|---------|
|           |          | A                | B    | C    |         |
| LR50M     | ½"       | 4.68             | 2.05 | 1.37 | 4.5     |
| LR75M     | ¾"       | 5.37             | 2.25 | 1.70 | 7.5     |
| LR100M    | 1"       | 6.20             | 2.65 | 1.90 | 12.5    |
| LR125M    | 1¼"      | 8.12             | 2.75 | 2.75 | 32      |
| LR150M    | 1½"      | 8.12             | 3.50 | 2.83 | 35.3    |
| LR200M    | 2"       | 10.50            | 4.12 | 3.31 | 68      |
| LR250M    | 2½"      | 13.60            | 5.71 | 3.90 | 142     |
| LR300M    | 3"       | 13.87            | 5.87 | 4.75 | 173     |
| LR350M-TB | 3½"      | 16.25            | 6.10 | 5.62 | 292     |
| LR400M    | 4"       | 16.25            | 6.95 | 5.62 | 324     |

### LR Threaded Aluminum Conduit Bodies



| CAT. NO. | HUB SIZE | DIMENSIONS (IN.) |       |       |      |      |       |      |      | CU. IN. | CU. IN.* |
|----------|----------|------------------|-------|-------|------|------|-------|------|------|---------|----------|
|          |          | A                | B     | C     | D    | E    | F     | G    | H    |         |          |
| ALR1     | ½"       | 3.88             | 3.50  | 4.31  | 1.31 | 1.38 | 3.56  | 2.00 | .78  | 4.3     | 4.8      |
| ALR2     | ¾"       | 4.63             | 4.13  | 5.13  | 1.53 | 1.63 | 4.13  | 2.31 | .88  | 7.3     | 7.5      |
| ALR3     | 1"       | 5.38             | 4.88  | 5.31  | 1.75 | 1.88 | 4.88  | 2.50 | 1.00 | 11.8    | 12.5     |
| ALR4     | 1¼"      | 7.25             | 6.50  | 7.88  | 2.50 | 2.75 | 6.31  | 3.38 | 1.50 | 32.0    | 36.5     |
| ALR5     | 1½"      | 7.25             | 6.50  | 7.88  | 2.50 | 2.75 | 6.31  | 3.38 | 1.50 | 32.0    | 36.5     |
| ALR6     | 2"       | 9.50             | 8.56  | 10.19 | 3.13 | 3.44 | 8.19  | 3.94 | 1.94 | 69.5    | 73.8     |
| ALR7     | 2½"      | 12.25            | 11.25 | 13.00 | 4.50 | 4.50 | 10.25 | 5.50 | 2.88 | 190.0   | —        |
| ALR8     | 3"       | 12.25            | 11.25 | 13.00 | 4.50 | 4.50 | 10.25 | 5.50 | 2.88 | 190.0   | —        |
| ALR9     | 3½"      | 15.00            | 14.44 | 16.25 | 5.50 | 5.50 | 12.75 | 6.50 | 3.00 | 366.0   | —        |
| ALR10    | 4"       | 15.00            | 14.44 | 16.25 | 5.50 | 5.50 | 12.75 | 6.50 | 3.00 | 366.0   | —        |

\*LRL Style Only

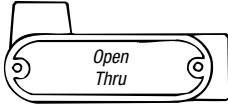
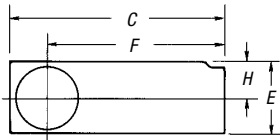
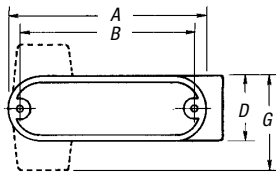
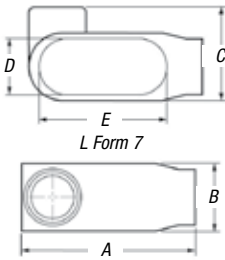
### LR EMT Aluminum Conduit Bodies



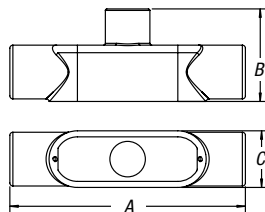
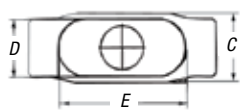
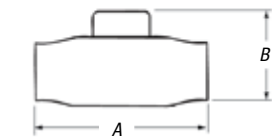
| CAT. NO. | HUB SIZE | DIMENSIONS (IN.) |      |      |      |      |      |      |      | CU. IN. | CU. IN.* |
|----------|----------|------------------|------|------|------|------|------|------|------|---------|----------|
|          |          | A                | B    | C    | D    | E    | F    | G    | H    |         |          |
| BLR1     | ½"       | 3.88             | 3.50 | 4.31 | 1.31 | 1.38 | 3.56 | 2.00 | .78  | 4.3     | 4.8      |
| BLR2     | ¾"       | 4.63             | 4.13 | 5.13 | 1.53 | 1.63 | 4.13 | 2.31 | .88  | 7.3     | 7.5      |
| BLR3     | 1"       | 5.38             | 4.88 | 5.31 | 1.75 | 1.88 | 4.88 | 2.50 | 1.00 | 11.8    | 12.5     |
| BLR4     | 1¼"      | 7.25             | 6.50 | 7.88 | 2.50 | 2.75 | 6.31 | 3.38 | 1.50 | 32.0    | 36.5     |

\*LRL Style Only

## Conduit Bodies and Covers



LRL Threaded Aluminum and EMT Aluminum



TB Series 35

### L Form 7 BlueKote® Conduit Bodies



| CAT. NO. | HUB SIZE | DIMENSIONS (IN.) |      |      |      |      |
|----------|----------|------------------|------|------|------|------|
|          |          | A                | B    | C    | D    | E    |
| L17-TB   | ½"       | 4.60             | 1.40 | 1.45 | .95  | 3.20 |
| L27-TB   | ¾"       | 5.25             | 1.60 | 1.65 | 1.15 | 3.80 |
| L37-TB   | 1"       | 6.00             | 1.90 | 2.60 | 1.35 | 4.55 |
| L47-TB   | 1¼"      | 6.45             | 2.30 | 3.05 | 1.80 | 5.00 |
| L57-TB   | 1½"      | 7.90             | 2.60 | 3.80 | 2.05 | 5.45 |
| L67-TB   | 2"       | 8.30             | 3.20 | 4.25 | 2.45 | 6.40 |

### L Threaded Aluminum Conduit Bodies



| CAT. NO. | HUB SIZE | DIMENSIONS (IN.) |      |       |      |      |      |      |      |         |         |
|----------|----------|------------------|------|-------|------|------|------|------|------|---------|---------|
|          |          | A                | B    | C     | D    | E    | F    | G    | H    | CU. IN. | CU. IN. |
| ALRL1    | ½"       | 3.88             | 3.50 | 4.31  | 1.31 | 1.38 | 3.56 | 2.00 | .78  | 4.3     | 4.8     |
| ALRL2    | ¾"       | 4.63             | 4.13 | 5.13  | 1.53 | 1.63 | 4.13 | 2.31 | .88  | 7.3     | 7.5     |
| ALRL3    | 1"       | 5.38             | 4.88 | 5.31  | 1.75 | 1.88 | 4.88 | 2.50 | 1.00 | 11.8    | 12.5    |
| ALRL4    | 1¼"      | 7.25             | 6.50 | 7.88  | 2.50 | 2.75 | 6.31 | 3.38 | 1.50 | 32.0    | 36.5    |
| ALRL5    | 1½"      | 7.25             | 6.50 | 7.88  | 2.50 | 2.75 | 6.31 | 3.38 | 1.50 | 32.0    | 36.5    |
| ALRL6    | 2"       | 9.50             | 8.56 | 10.19 | 3.13 | 3.44 | 8.19 | 3.94 | 1.94 | 69.5    | 73.8    |

### L EMT Aluminum Conduit Bodies



| CAT. NO. | HUB SIZE | DIMENSIONS (IN.) |      |       |      |      |      |      |      |         |         |
|----------|----------|------------------|------|-------|------|------|------|------|------|---------|---------|
|          |          | A                | B    | C     | D    | E    | F    | G    | H    | CU. IN. | CU. IN. |
| BLRL1    | ½"       | 3.88             | 3.50 | 4.31  | 1.31 | 1.38 | 3.56 | 2.00 | .78  | 4.3     | 4.8     |
| BLRL2    | ¾"       | 4.63             | 4.13 | 5.13  | 1.53 | 1.63 | 4.13 | 2.31 | .88  | 7.3     | 7.5     |
| BLRL3    | 1"       | 5.38             | 4.88 | 5.31  | 1.75 | 1.88 | 4.88 | 2.50 | 1.00 | 11.8    | 12.5    |
| BLRL4    | 1¼"      | 7.25             | 6.50 | 7.88  | 2.50 | 2.75 | 6.31 | 3.38 | 1.50 | 32.0    | 36.5    |
| BLRL5    | 1½"      | 7.25             | 6.50 | 7.88  | 2.50 | 2.75 | 6.31 | 3.38 | 1.50 | 32.0    | 36.5    |
| BLRL6    | 2"       | 9.50             | 8.56 | 10.19 | 3.13 | 3.44 | 8.19 | 3.94 | 1.94 | 69.5    | 73.8    |

### TB Form 8 BlueKote® Conduit Bodies



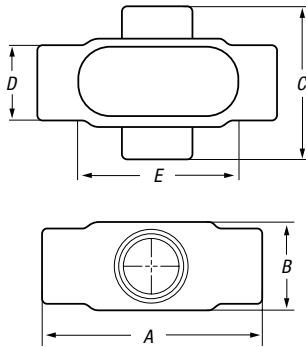
| CAT. NO. | HUB SIZE | DIMENSIONS (IN.) |      |      |      |      | CU. IN. |
|----------|----------|------------------|------|------|------|------|---------|
|          |          | A                | B    | C    | D    | E    |         |
| TB18     | ½"       | 5.69             | 2.63 | 1.38 | 1.00 | 3.31 | 6.0     |
| TB28     | ¾"       | 6.28             | 2.88 | 1.19 | 1.19 | 3.94 | 9.0     |
| TB38     | 1"       | 7.31             | 3.25 | 1.75 | 1.38 | 4.56 | 15.0    |
| TB448    | 1¼"      | 8.50             | 3.31 | 2.19 | 1.75 | 5.31 | 24.0    |
| TB58     | 1½"      | 10.38            | 3.69 | 2.75 | 2.13 | 6.50 | 46.5    |
| TB68     | 2"       | 12.25            | 4.25 | 3.75 | 3.00 | 8.56 | 88.0    |

### TB Series 35 Conduit Bodies



| CAT. NO. | HUB SIZE | DIMENSIONS (IN.) |      |      | CU. IN. |
|----------|----------|------------------|------|------|---------|
|          |          | A                | B    | C    |         |
| TB50M    | ½"       | 5.38             | 1.34 | 2.05 | 6       |
| TB75M    | ¾"       | 6.00             | 1.50 | 2.25 | 9.5     |
| TB100M   | 1"       | 7.05             | 1.80 | 2.65 | 15      |
| TB125M   | 1¼"      | 9.00             | 2.60 | 2.75 | 33      |
| TB150M   | 1½"      | 9.00             | 2.60 | 2.83 | 36      |
| TB200M   | 2"       | 11.50            | 3.12 | 4.42 | 76      |

## Conduit Bodies and Covers



X Form 7 and Form 8

### X Form 7 BlueKote® Conduit Bodies

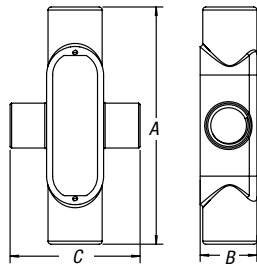


| CAT. NO. | HUB SIZE | DIMENSIONS (IN.) |      |      |      |      | CU. IN. |
|----------|----------|------------------|------|------|------|------|---------|
|          |          | A                | B    | C    | D    | E    |         |
| X17      | ½"       | 5.60             | 1.80 | 3.05 | .95  | 3.20 | 6.0     |
| X27      | ¾"       | 6.20             | 2.00 | 3.30 | 1.15 | 3.80 | 9.1     |
| X37      | 1"       | 7.35             | 2.30 | 3.80 | 1.35 | 4.55 | 16.9    |
| X47      | 1¼"      | 7.30             | 2.30 | 3.85 | 1.80 | 5.00 | 19.3    |
| X57      | 1½"      | 8.60             | 2.60 | 5.05 | 2.05 | 5.45 | 27.5    |
| X67      | 2"       | 9.50             | 3.20 | 5.45 | 2.45 | 6.40 | 52.8    |

### X Form 8 BlueKote® Conduit Bodies



| CAT. NO. | HUB SIZE | DIMENSIONS (IN.) |      |      |      |      | CU. IN. |
|----------|----------|------------------|------|------|------|------|---------|
|          |          | A                | B    | C    | D    | E    |         |
| X18      | ½"       | 5.69             | 1.75 | 2.91 | 1.00 | 3.31 | 6.0     |
| X28      | ¾"       | 6.28             | 2.00 | 3.06 | 1.38 | 3.94 | 9.0     |
| X38      | 1"       | 7.31             | 2.25 | 3.50 | 1.38 | 4.56 | 15.0    |
| X448     | 1¼"      | 8.50             | 2.63 | 4.13 | 1.75 | 5.31 | 24.0    |
| X58      | 1½"      | 10.38            | 2.47 | 5.25 | 2.13 | 6.50 | 46.5    |
| X68      | 2"       | 12.25            | 3.56 | 6.25 | 3.00 | 8.56 | 88.0    |

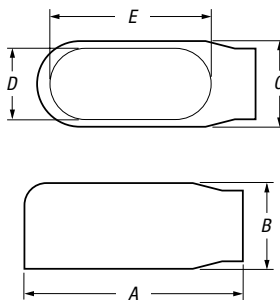


X Series 35

### X Series 35 Conduit Bodies



| CAT. NO. | HUB SIZE | DIMENSIONS (IN.) |      |      | CU. IN. |
|----------|----------|------------------|------|------|---------|
|          |          | A                | B    | C    |         |
| X50M     | ½"       | 5.41             | 2.79 | 1.75 | 36.0    |
| X75M     | ¾"       | 6.08             | 2.93 | 1.97 | 76.0    |
| X100M    | 1"       | 7.1              | 3.56 | 2.25 | 6.0     |
| X125M    | 1¼"      | 9.1              | 4.43 | 2.55 | 9.5     |
| X150M    | 1½"      | 9.1              | 4.43 | 2.75 | 15.0    |
| X200M    | 2"       | 11.75            | 5.4  | 3.45 | 33.0    |



E Form 7

### E Form 7 BlueKote® Conduit Bodies



| CAT. NO. | HUB SIZE | DIMENSIONS (IN.) |      |      |      |      | CU. IN. |
|----------|----------|------------------|------|------|------|------|---------|
|          |          | A                | B    | C    | D    | E    |         |
| E17      | ½"       | 4.60             | 1.40 | 1.45 | .95  | 3.20 | 6.0     |
| E27      | ¾"       | 5.25             | 1.60 | 1.65 | 1.15 | 3.80 | 9.1     |
| E37      | 1"       | 6.00             | 1.90 | 1.80 | 1.35 | 4.55 | 16.9    |

### E Threaded Aluminum Conduit Bodies



| CAT. NO. | HUB SIZE | DIMENSIONS (IN.) |      |      |      |      |      |      | CU. IN. |
|----------|----------|------------------|------|------|------|------|------|------|---------|
|          |          | A                | B    | C    | D    | E    | F    | G    |         |
| AE-1     | ½"       | 3.88             | 4.38 | 1.33 | 1.38 | 2.41 | 2.06 | .81  | 4.3     |
| AE-2     | ¾"       | 4.63             | 5.13 | 1.53 | 1.63 | 2.78 | 2.34 | .94  | 7.3     |
| AE-3     | 1"       | 5.38             | 5.94 | 1.75 | 1.88 | 3.25 | 2.63 | 1.00 | 11.8    |